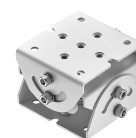
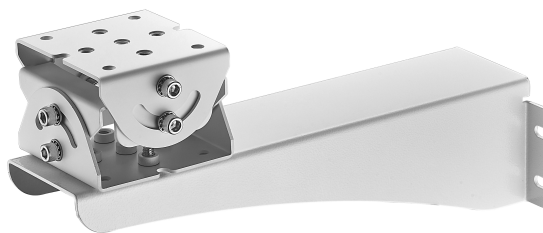


CI-810

Mounting Bracket

CI-810 is an universal axis bracket for camera housing. The axis bracket head (CI-810H) can be mount with the device for the traffic application.



CI-810H

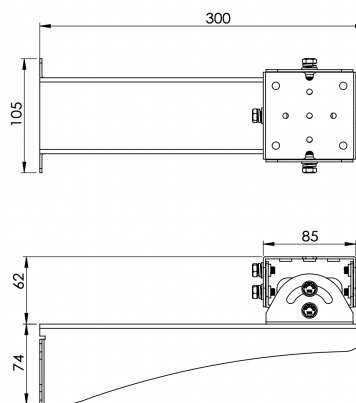
Certificated: ROHS

Technical Specifications

| | |
|--------------------|------------------------------------|
| Construction | SUS 304 or Aluminum or Steel |
| Dimension | L300 x W 105 x H 74mm |
| Rotating | 360° |
| Vertical Tilting | 20° (4 screws) or 40° (2 screws) |
| Horizontal Tilting | 20° |
| Max. Load | 25 KG for 20° OR 5KG for 40° |
| Finished | Powder coating |

| | |
|---------------------|--------------|
| Storage Temperature | -30°C ~ 50°C |
| Weight | 1,360g |
| Threading Nut | SUS 1 /4W20 |
| Certificated | RoHs |

Dimensions



Universal -Axis Angle Application

