



Individualized design
sunshade and front cover color

CI-501

Bullet casing



CI-501 is IP68 waterproof bullet case for CCTV/ IP camera suitable for 38x38mm board for fixed lens application.

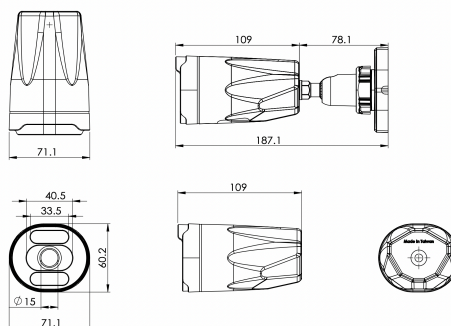
Certificated: IP68 – ROHS

Technical Specifications

Viewing Window	Φ 58 mm window
Construction	Body: Die Cast Al-alloy Front cover: Plastic to against UV
Bracket	Aluminum (M16) or Plastic (M12) for option
Microphone Hole	available from default design at front cover (If no need, it can be seal by gluing)
SD Cover	Available for option
Max. Cable diameter	Φ 4.5 or 7 mm (By sealing option)
Coating	Fluid for 72H slat spray duration
Application	Outdoor/Indoor
Certificated	IP68, RoHs

Storage Temperature	-30°C ~ 50°C
Body Dimensions	L 109 x W 71 x H 60 mm
Weight	Net: 192 G (No Bracket)
Sunshade (Optional)	Plastic black or white

Dimensions



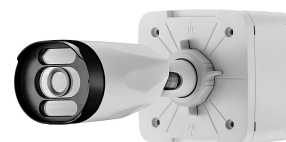
Compatible Accessories



With CI-822 Bracket



CI-114 Aluminum Junction Box



CI-116 Plastic Junction Box