



With sunshade

PB-701

Outdoor Enclosure with optional heater, fan and IR



PB-701 is IP68 weatherproof housing with full-rang AC input. With friendly installation and protection by covers by international compliance standard recognized

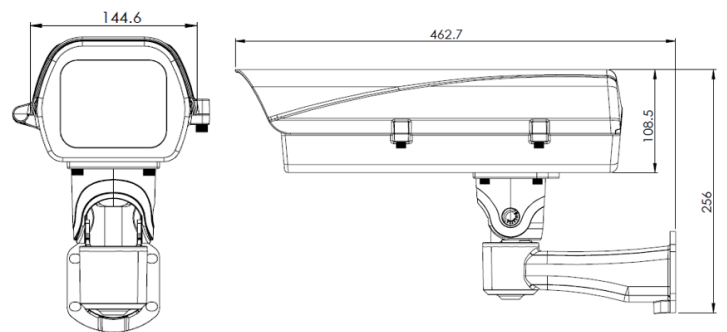
Certificated: IP68 – ROHS – IK10-CE, FCC, IEC, UL List

Technical Specifications

Viewing Window	Tempered glass
Construction	Die casting Al-alloy
Latch	Dual side locking by screw
Camera Mounting	Adjustable camera metal sled
Sunshade (option)	Adjustable aluminum construction
IR (option)	30° 50M or 60°30M (2.9W)
Heater (option)	4°C On, 15°C Off (10W or 20W) (If defroster is obtained then 20W heater is requested)
Fan (option)	35°C On, 25°C Off (1.8W)
Defroster (option)	9.5W
Power Input/ Output	96V~264VAC / 12VDC, 70W (5.83A)

Operating Temperature	-30°C ~ 50°C
External Dimensions	462.7 (L) x 144.6 (W) x 108.5 (H) mm
Weight	Net: 2800g (with bracket)
Included Accessories	Wall bracket, screw kit

Dimensions



Compatible Accessories



CI-303



CI-815/ CI-808



CI-112