



With sunshade

CI-701PoE

Outdoor Enclosure with Hi-PoE Module



CI-701PoE is an outdoor enclosure with 802.3af and 802.3at compliant PoE, allowing single-cable installation with the PoE camera for a PoE Switch/Injector

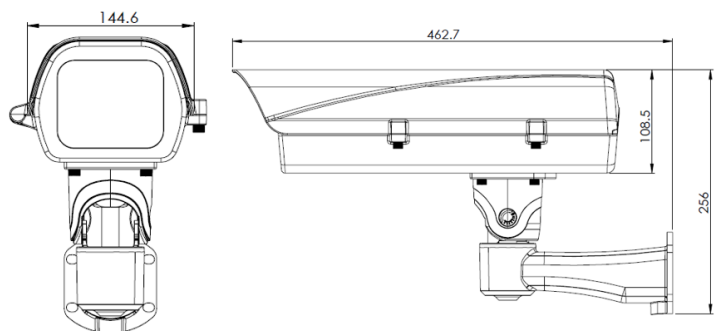
Certificated: IP68 – ROHS – IK10-CE-FCC

Technical Specifications

Viewing Window	Tempered glass
Construction	Die casting Al-alloy
Latch	Dual side locking by stainless screws
Camera Mounting	Adjustable camera metal sled
Sunshade (Option)	Adjustable aluminum construction
IR	30° 50M OR 60° 30M (12VDC, 3W)
Heater (Option)	15°C On, 25°C Off (12VDC, 10W or 20W) (If defroster is obtained then 20W heater is requested)
Defroster (option)	12VDC, 9.5W
Fan (Option)	35°C On, 25°C Off (12VDC, 1.8W)
Power Input/Output	PoE/ 15W or 30W or 60W
Coating	White epoxy powder coating

Operating Temperature	-30°C ~ 50°C
External Dimensions	462.7 (L) x 144.6 (W) x 108.5 (H) mm
Weight	Net: 2800g (with bracket)
Included Accessories	Wall bracket, screw kit

Dimensions



Application Diagram



Compatible Accessories



CI-303



CI-815/CI-808



CI-112



CI-113 UPoE Injector