

# CI-515

Bullet casing



CI-515 is IP66 waterproof bullet case with fully-cable managed adjustable 3-axis bracket. Compatible for Fix and Various Focal Lens applications.

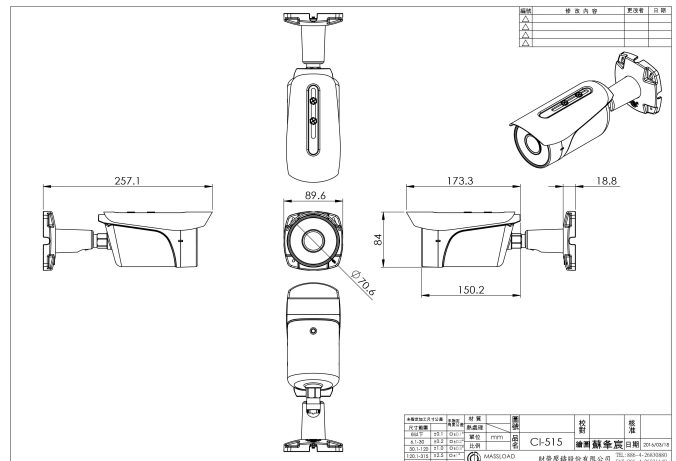
Certificated: IP66 – ROHS

## Technical Specifications

Viewing Window	Φ 80 mm window in Tempered Glass
Construction	Die Cast Al-alloy
Bracket	3 axis angle view
Max. Cable diameter	Φ 10mm
Coating	Fluid Spray
Application	Outdoor/Indoor
External adjustment	Various Focal Lens

Storage Temperature	-30°C ~ 50°C
Body Dimensions	L150x W89.6 x H84 mm
Weight	Net: 707 G
Included Accessories	Screw kit

## Dimensions



## Compatible Accessories



CI-114