

CI-600

Outdoor Enclosure with optional heater, fan and IR



CI-600 is IP66 weatherproof housing, top open with heater, fan and IR for option

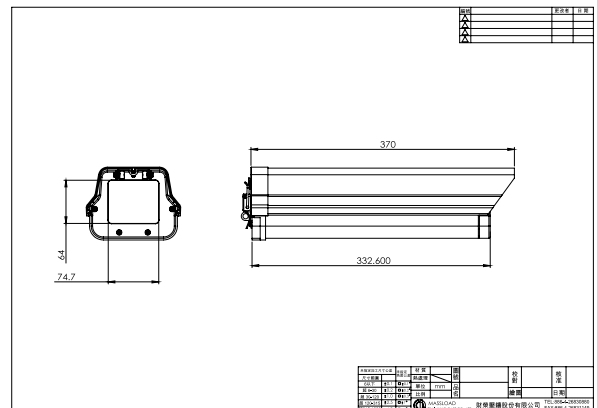
Certificated: IP66 – ROHS – CE

Technical Specifications

Viewing Window	Tempered glass
Construction	Aluminum
Latch	Top open/close by clamp
Camera Mounting	Removable camera metal sled
IR (option)	60°30M
Heater (option)	15°C On, 25°C Off
Fan (option)	35°C On, 25°C Off
Power Input	AC110V, AC230V, AC24V, or DC12V
Coating	White epoxy powder coating

Operating Temperature	-10°C ~ 50°C
External Dimensions	370 (L) x 142 (W) x 115 (H) mm
Weight	Net: 1,200G
Included Accessories	screw kit

Dimensions



Compatible Accessories



CI-801



CI-807



CI-808



CI-112