

# CI-602 (S)

Outdoor Enclosure with optional heater, fan and IR



CI-602(S) is IP66 weatherproof housing with side open for easy lens adjustment, which has option of front-rear casting al-alloy material.

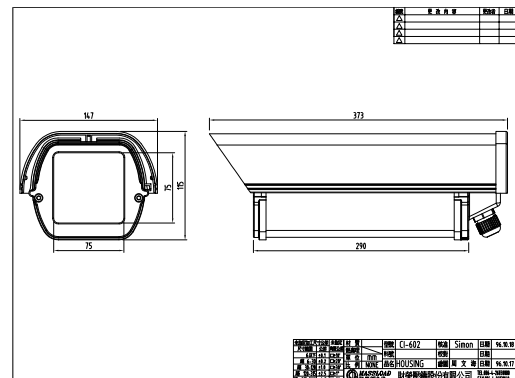
**Certificated: IP66 – ROHS**

## Technical Specifications

Viewing Window	Inserted Patent with Tempered glass
Construction	Extruded Aluminum
Latch	Dual side locking by screws
Camera Mounting	Removable camera holder
IR (option)	15° 50M or 60°30M
Heater (option)	15°C On, 25°C Off
Fan (option)	35°C On, 25°C Off
Power Input	AC110V, AC230V, AC24V, or DC12V
Coating	White epoxy powder coating

Operating Temperature	-10°C ~ 30°C
External Dimensions	373 (L) x 147 (W) x 115 (H) mm
External S Type	313(L) x 147(W) x 115(H) mm
Weight	Net: 1,100 G (S): 1000g
Included Accessories	Wall bracket, screw kit

## Dimensions



## Compatible Accessories



CI-801



CI-807



CI-816



CI-304