



With sunshade

# CI-701

Outdoor Enclosure with optional heater, fan and IR



CI-701 is IP68 weatherproof housing with fully-cable management bracket, and heater, fan and IR for option

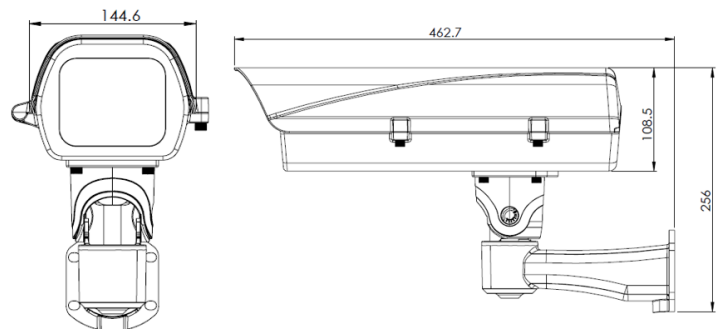
Certificated: IP68 – ROHS – IK10-CE-FCC

## Technical Specifications

Viewing Window	Tempered glass
Construction	Die casting Al-alloy
Latch	Dual side locking by stainless screws
Camera Mounting	Adjustable camera metal sled
Sunshade (option)	Adjustable aluminum construction
IR (option)	30° 50M or 60°30M (2.9W)
Heater (option)	15°C On, 25°C Off (10W)
Fan (option)	35°C On, 25°C Off (1.8W)
Power Input (option)	96-264VAC, PoE, 12VDC, 24VAC, 230VAC
Coating	White epoxy powder coating

Operating Temperature	-30°C ~ 50°C
External Dimensions	462.7 (L) x 144.6 (W) x 108.5 (H) mm
Weight	Net: 2800g (with bracket)
Included Accessories	Wall bracket, screw kit

## Dimensions



## Compatible Accessories



CI-303



CI-815/CI-808



CI-112

