

CI-702

Bullet casing



CI-702 is IP66 waterproof, side-open bullet casing with fix and vari focal lens applications; specially design for IP camera and AHD camera

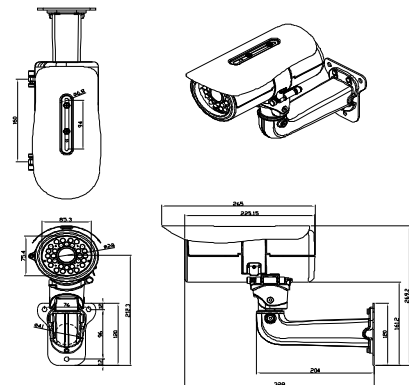
Certificated: IP66 – ROHS

Technical Specifications

Viewing Window	Tempered Glass
Construction	Die Cast Al-alloy
Latch	Side open by clamp
Heater (option)	12VDC, 24VAC & 230VAC (10W)
Fan (option)	12VDC (1.8W)
IR (option)	15M
Coating	Fluid Spray
Application	Outdoor/Indoor

Operating Temperature	-30°C ~ 50°C
Body Dimensions	L225x W120 x H100 mm
Weight	Net: 1150 G
Included Accessories	Screw kit

Dimensions



Compatible Accessories



CI-812



CI-816A



CI-306