

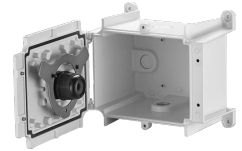


**MASSLOAD**  
財榮壓鑄股份有限公司

# CI-112

## IP66 Junction Box

CI-112 is an innovative junction box for bullet cameras and enclosures with any custom holes are available, which is also allowing RJ45 connector goes through directly.

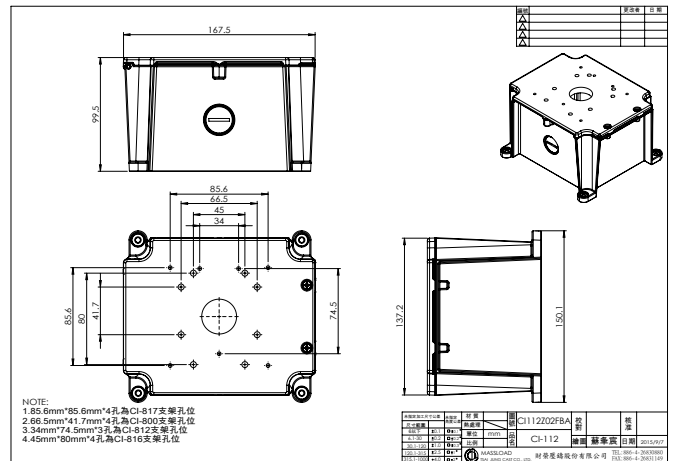


**Certificated: IP66 -- ROHS – IK10**

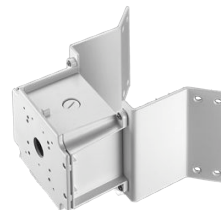
### Technical Specifications

Construction	Die-Cast Alloy
Coating	White powder coat
Weight	1,300 G
Max. Load	30KG
Packing	12pcs/ctn
Operating temp.	-40°C ~ 60°C
Suitable Hole	Any custom holes available
Cable Range	4.5~5.5mm; 5.5~7mm ; 9.5~10.5mm

### Dimensions



### Compatible Massload Camera Housing



**With Corner Mount**