



**MASSLOAD**  
財榮壓鑄股份有限公司

# CI-114

## IP66 Junction Box

CI-114 is an innovative junction box for bullet cameras by intelligent open/close for easy installation. The surface holes are flexible for any cameras and it has conduit holes supporting M25 thread.

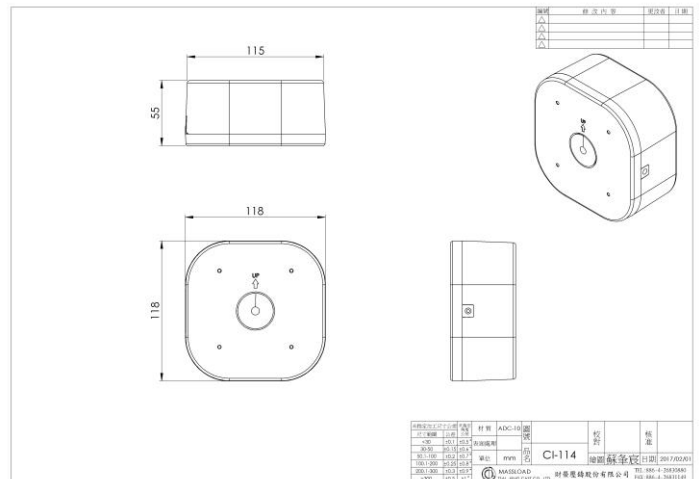


Certificated: IP66 -- ROHS – IK10

### Technical Specifications

Construction	Die-Cast Alloy
Coating	White powder coat
Weight	680G
Max. Load	10KG
Packing	20pcs/ctn
Operating temp.	-40°C ~ 60°C
Suitable Hole	Any custom holes available
Cable Range	Optional 7mm and 10mm
Dimension:	118 x 115 x 55 mm

### Dimensions



### Compatible Massload Camera Housing

