

CI-512

Bullet casing



CI-512 is IP67 waterproof, side-open bullet casing with fix and various focal lens applications; specially design for IP camera and AHD camera

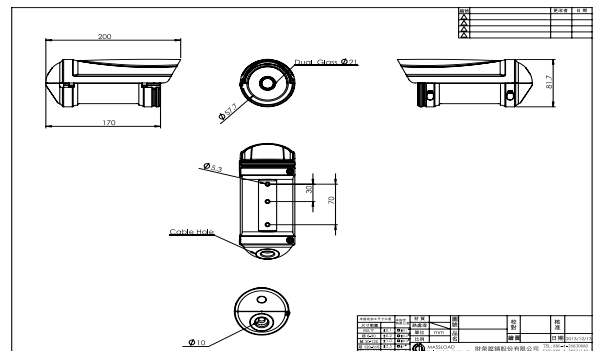
Certificated: IP67 – ROHS

Technical Specifications

Viewing Window	Φ 57mm window in Tempered Glass
Construction	Die Cast Al-alloy
Latch	Side open by screws
Mounting Holder	28 x28, 32x32, 42x42
IR (option)	15M
Coating	Fluid Spray
Application	Outdoor/Indoor
Net Weight	520G

Operating Temperature	-30°C ~ 50°C
External Dimensions	L200x H 81.7 mm
Weight	Net: 325.5G
Included Accessories	Screw kit

Dimensions



Compatible Accessories



CI-812



CI-811



CI-818